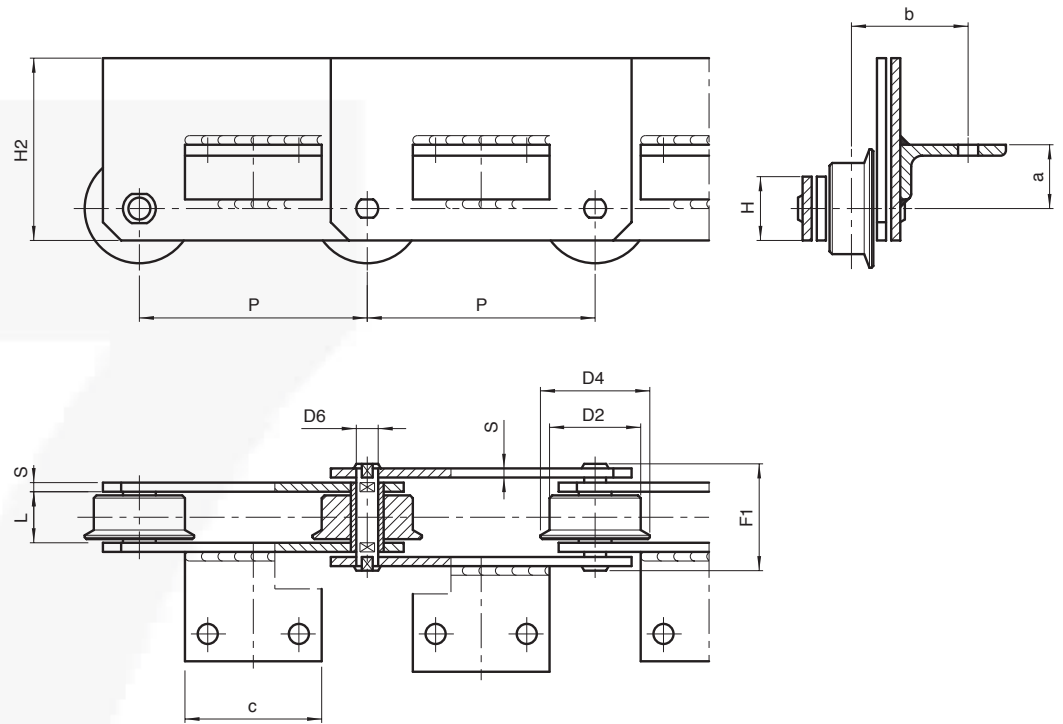


CHAINS FOR SPECIAL APPLICATIONS – WASTE PAPER AND WASTE RECYCLING INDUSTRY



SOLID PIN CHAINS

| Chain N. | P mm | L mm | D2 mm | D4 mm | D6 mm | H mm | H2 mm | S mm | a mm | b mm | F1 mm | Breaking load N | Attachment type |
|----------|------|------|-------|-------|-------|------|-------|------|------|------|-------|-----------------|---------------------|
| W1743 | 100 | 24 | 40 | / | 12 | 35 | / | 4 | 26 | 38,5 | 45 | 75.000 | A1-01 |
| W4563● | 125 | 25 | 40 | / | 14 | 35 | / | 5 | -2,5 | 41 | 51,5 | 100.000 | A2-01 |
| W4122 | 125 | 28 | 50 | 60 | 12 | 35 | 100 | 5 | 35 | 64 | 54,5 | 80.000 | A2-01 |
| W4123● | 125 | 28 | 50 | 60 | 12 | 35 | 100 | 5 | -5 | 64 | 54,5 | 80.000 | A2-01 |
| W4122A | 125 | 28 | 50 | 60 | 12 | 35 | 100 | 5 | 35 | 48 | 54,5 | 80.000 | A2-01 |
| W4123A● | 125 | 28 | 50 | 60 | 12 | 35 | 100 | 5 | -7 | 48 | 54,5 | 80.000 | A2-01 |
| W4123B● | 125 | 28 | 50 | 60 | 12 | 35 | 100 | 5 | -7 | 48 | 54,5 | 80.000 | A2-02 |
| W3946 | 200 | 32 | 60 | / | 15 | 40 | 90 | 6 | / | / | 63 | 112.000 | without attachments |
| W3946R | 200 | 32 | 60 | 75 | 15 | 40 | 90 | 6 | / | / | 63 | 180.000 | without attachments |
| W4587 | 200 | 36 | 65 | 80 | 20 | 50 | 100 | 8 | 26 | 70 | 77 | 175.000 | A2-01 |
| W4124 | 200 | 37 | 70 | 90 | 18 | 50 | 120 | 7 | 55 | 80 | 72 | 160.000 | A2-01 |
| W4125● | 200 | 37 | 70 | 90 | 18 | 50 | 120 | 7 | -5 | 80 | 72 | 160.000 | A2-01 |
| W4639● | 200 | 37 | 70 | 90 | 18 | 50 | 80 | 7 | -10 | 80 | 72 | 160.000 | A2-01 |
| W4124R | 200 | 37 | 70 | 90 | 18 | 50 | 120 | 7 | 55 | 80 | 72 | 260.000 | A2-01 |
| W4125R● | 200 | 37 | 70 | 90 | 18 | 50 | 120 | 7 | -5 | 80 | 72 | 260.000 | A2-01 |

* angle only on the inner links

● position of the attachment under the center line of chain

