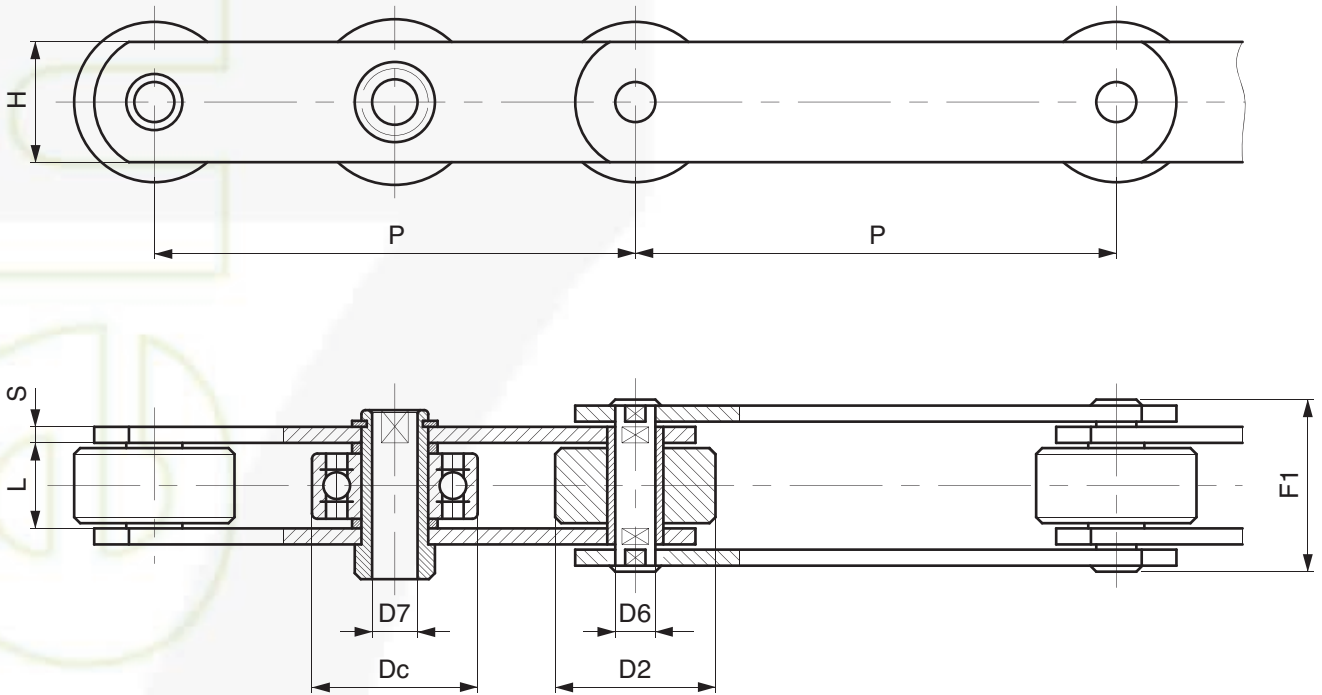


KETTEN FÜR SONDERANWENDUNGEN - GÄRSCHRÄNKE



TRANSPORT FÜR GEHANGEN

| Kette N. | P mm | L mm | D2 mm | D6 mm | D7 mm | Dc mm | H mm | S mm | F1 mm | Bruchkraft N | Bemerkungen |
|----------|-------|------|-------|-------|-------|-------|-------|------|-------|--------------|----------------------|
| W3248 | 80 | 28 | 52 | 18 | 12 | 52 | 35/40 | 5 | 55 | 80.000 | Rolle auf Kugellager |
| W3513 | 80 | 28 | 52 | 12 | 14,2 | 52 | 35/40 | 5 | 55 | 80.000 | Rolle auf Kugellager |
| W4976 | 140 | 32 | 30 | 21 | 15 | 47 | 40 | 6 | 63 | 170.000 | |
| W4949 | 152,4 | 26 | 60 | 33 | 27 | 62 | 50 | 7/5 | 58 | 200.000 | |
| W3729 | 160 | 32 | 60 | 21 | 17 | 62 | 40/45 | 6 | 63 | 140.000 | |
| W4751 | 160 | 35 | 36 | 25 | 17 | 62 | 45 | 6 | 65 | 180.000 | |
| W3247 | 180 | 32 | 60 | 21 | 15 | 62 | 40/45 | 6 | 63 | 112.000 | |
| W2498 | 180 | 36 | 70 | 30 | 20 | 72 | 60 | 8 | 77 | 300.000 | |
| W3064 | 180 | 43 | 70 | 30 | 21 | 72 | 60 | 8 | 84 | 300.000 | |
| W4937 | 200 | 26 | 60 | 33 | 27 | 62 | 50 | 7/5 | 58 | 200.000 | |
| W2340 | 200 | 36 | 70 | 30 | 20 | 72 | 60 | 8 | 77 | 300.000 | |

