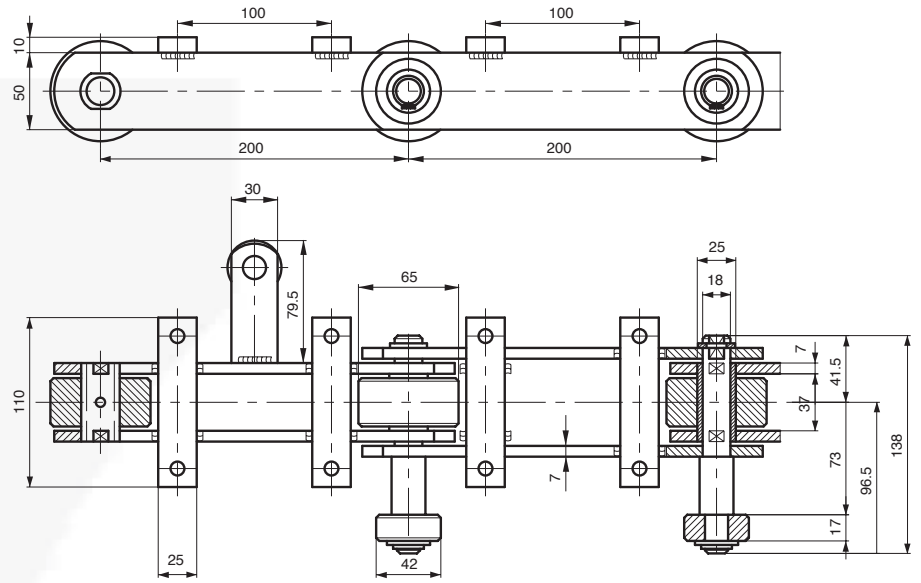


CHAINS FOR SPECIAL APPLICATIONS – POLYURETHANE PANEL APPLICATIONS

CONDITIONING TUNNEL

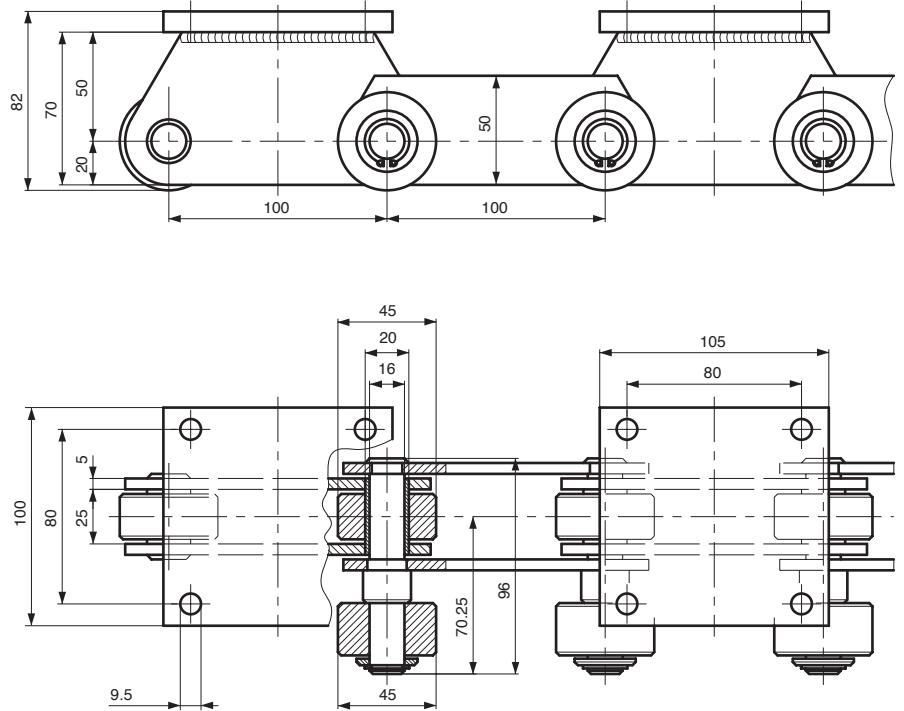


Chain P. 200x37x65 øR



Breaking load: 210.000 N

CONDITIONING TUNNEL



Chain P. 100x25x45 øR



Breaking load: 210.000 N

